

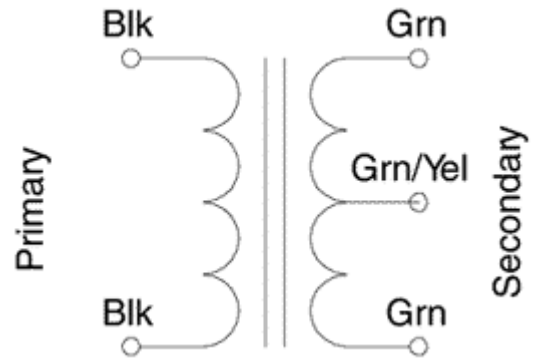
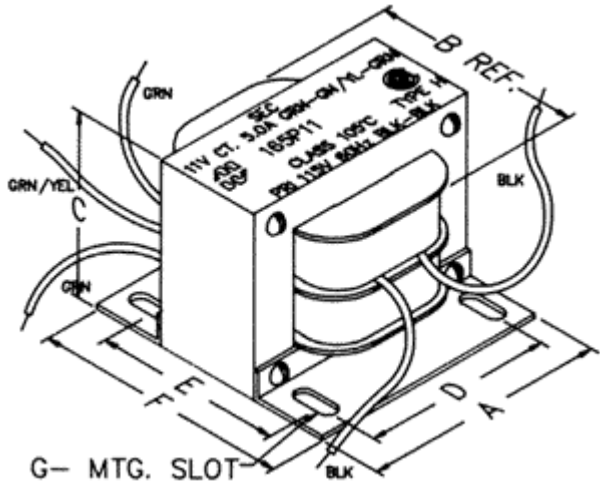


**Key Features:**

- Primary 115 VAC, 60 Hz.
- All secondaries center tapped, VAC (RMS)
- Open style, 4 hole frame chassis mount.
- Minimum 6" long leads or copper tabs with holes.
- Dual bobbin design - no electrostatic shield required.
- Class B insulation (130 degrees, C).
- Hi-Pot test of 2,000V RMS.
- UL listed (# E50394) & CSA certified (# LR3902).

| Part No.      | VA    | Secondary (R.M.S.) |      | Dim. Ref. |
|---------------|-------|--------------------|------|-----------|
|               |       | VAC                | Amps |           |
| <b>165Z3</b>  | 150   | 3.0 C.T.           | 50   | H10       |
| <b>165X5</b>  | 150   | 5.0 C.T.           | 30   | H9        |
| <b>165V7</b>  | 157.5 | 7.5 C.T.           | 21   | H9        |
| <b>165V10</b> | 200   | 10.0 C.T.          | 20   | H10       |
| <b>165U11</b> | 165   | 11.0 C.T.          | 15   | H9        |
| <b>165S12</b> | 126   | 12.6 C.T.          | 10   | H7        |
| <b>165V12</b> | 252   | 12.6 C.T.          | 20   | H12       |
| <b>165S18</b> | 180   | 18.0 C.T.          | 10   | H10       |
| <b>165U18</b> | 270   | 18.0 C.T.          | 15   | H16       |
| <b>165V18</b> | 360   | 18.0 C.T.          | 20   | H18       |
| <b>165T22</b> | 264   | 22.0 C.T.          | 12   | H16       |
| <b>165V22</b> | 440   | 22.0 C.T.          | 20   | H19       |
| <b>165P25</b> | 125   | 25.0 C.T.          | 5    | H7        |
| <b>165S25</b> | 250   | 25.0 C.T.          | 10   | H12       |
| <b>165P30</b> | 150   | 30.0 C.T.          | 5    | H7        |
| <b>165S30</b> | 300   | 30.0 C.T.          | 10   | H16       |
| <b>165P60</b> | 300   | 60.0 C.T.          | 5    | H16       |
| <b>165N80</b> | 320   | 80.0 C.T.          | 4    | H18       |

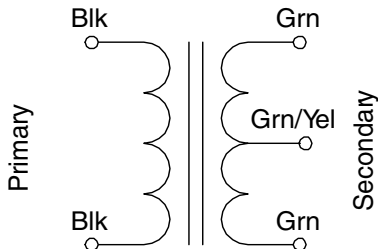
**Mechanical & Schematic Data:**



| Mtg. Style | Dimensions (Inches) |      |      |      |      |      | Mtg. Slot |
|------------|---------------------|------|------|------|------|------|-----------|
|            | A                   | B    | C    | D    | E    | F    |           |
| <b>H7</b>  | 3                   | 3.25 | 2.56 | 2.5  | 3.25 | 4    | .22 x .56 |
| <b>H9</b>  | 3.75                | 2.63 | 3.13 | 3.13 | 2.5  | 3.25 | .22 x .56 |
| <b>H10</b> | 3.75                | 3.13 | 3.13 | 3.13 | 2.75 | 3.5  | .22 x .56 |
| <b>H12</b> | 3.75                | 3.63 | 3.13 | 3.13 | 3.25 | 4    | .22 x .56 |
| <b>H16</b> | 4.5                 | 3.88 | 3.75 | 3.75 | 2.75 | 3.5  | .28 x .56 |
| <b>H18</b> | 4.5                 | 4.38 | 3.75 | 3.75 | 3.25 | 4    | .28 x .56 |
| <b>H19</b> | 4.5                 | 4.38 | 3.75 | 3.75 | 3.75 | 4.5  | .28 x .56 |

# Filament & L.V. Rectifier Use (165 Series)

## Transformer Schematic

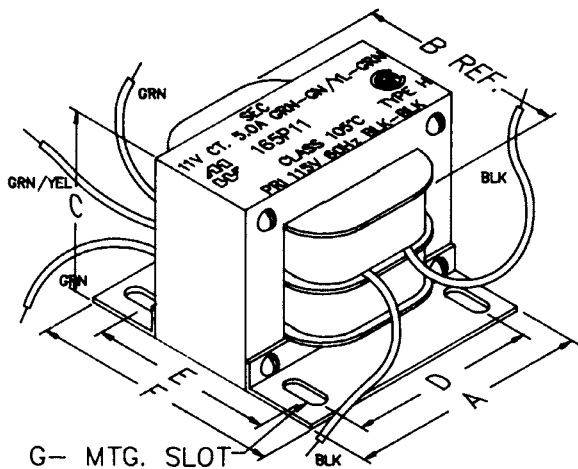


Power



## HIGH CURRENT - OPEN FRAME FILAMENT & L.V. RECTIFIER USE TRANSFORMERS

- Primary 115 VAC, 60 Hz.
- All secondaries center tapped, VAC (RMS)
- Open style, 4 hole frame chassis mount.
- Minimum 6" long leads or copper tabs with holes.
- Dual bobbin design - no electrostatic shield required.
- Class B insulation (130 degrees, C).
- Hi-Pot test of 2,000V RMS.
- UL listed (# E50394) & CSA certified (# LR3902)



Primary 115 VAC 60 Hz.

## Dimension Table

| Mtg. Style | Dimensions (Inches) |      |      |      |      |      | Mtg. Slot |
|------------|---------------------|------|------|------|------|------|-----------|
|            | A                   | B    | C    | D    | E    | F    |           |
| H7         | 3.00                | 3.25 | 2.56 | 2.50 | 3.25 | 4.00 | .22 x .56 |
| H9         | 3.75                | 2.63 | 3.13 | 3.13 | 2.50 | 3.25 | .22 x .56 |
| H10        | 3.75                | 3.13 | 3.13 | 3.13 | 2.75 | 3.50 | .22 x .56 |
| H12        | 3.75                | 3.63 | 3.13 | 3.13 | 3.25 | 4.00 | .22 x .56 |
| H16        | 4.50                | 3.88 | 3.75 | 3.75 | 2.75 | 3.50 | .28 x .56 |
| H18        | 4.50                | 4.38 | 3.75 | 3.75 | 3.25 | 4.00 | .28 x .56 |
| H19        | 4.50                | 4.38 | 3.75 | 3.75 | 3.75 | 4.50 | .28 x .56 |

| Part No. | VA    | Secondary (R.M.S.) |      | Dim. Ref. |
|----------|-------|--------------------|------|-----------|
|          |       | VAC                | Amps |           |
| 165Z3    | 150   | 3.0 C.T.           | 50   | H10       |
| 165X5    | 150   | 5.0 C.T.           | 30   | H9        |
| 165V7    | 157.5 | 7.5 C.T.           | 21   | H9        |
| 165V10   | 200   | 10.0 C.T.          | 20   | H10       |
| 165U11   | 165   | 11.0 C.T.          | 15   | H9        |
| 165S12   | 126   | 12.6 C.T.          | 10   | H7        |
| 165V12   | 252   | 12.6 C.T.          | 20   | H12       |
| 165S18   | 180   | 18.0 C.T.          | 10   | H10       |
| 165U18   | 270   | 18.0 C.T.          | 15   | H16       |
| 165V18   | 360   | 18.0 C.T.          | 20   | H18       |
| 165T22   | 264   | 22.0 C.T.          | 12   | H16       |
| 165V22   | 440   | 22.0 C.T.          | 20   | H19       |
| 165P25   | 125   | 25.0 C.T.          | 5    | H7        |
| 165S25   | 250   | 25.0 C.T.          | 10   | H12       |
| 165P30   | 150   | 30.0 C.T.          | 5    | H7        |
| 165S30   | 300   | 30.0 C.T.          | 10   | H16       |
| 165P60   | 300   | 60.0 C.T.          | 5    | H16       |
| 165N80   | 320   | 80.0 C.T.          | 4    | H18       |

